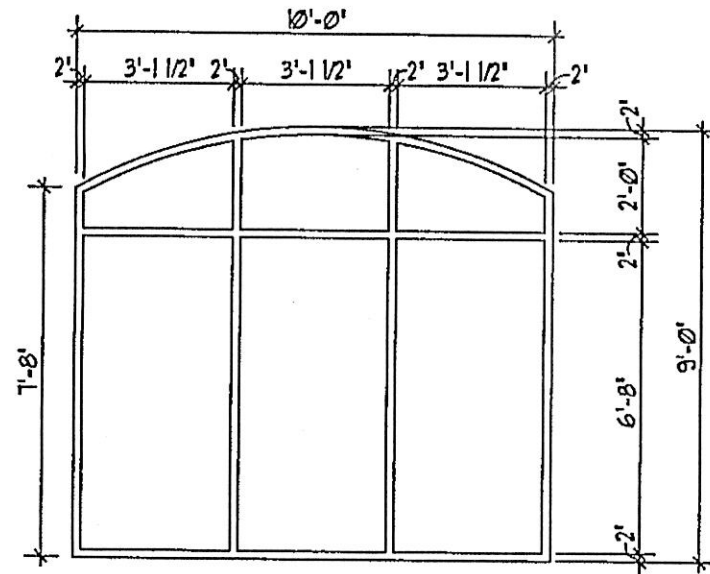
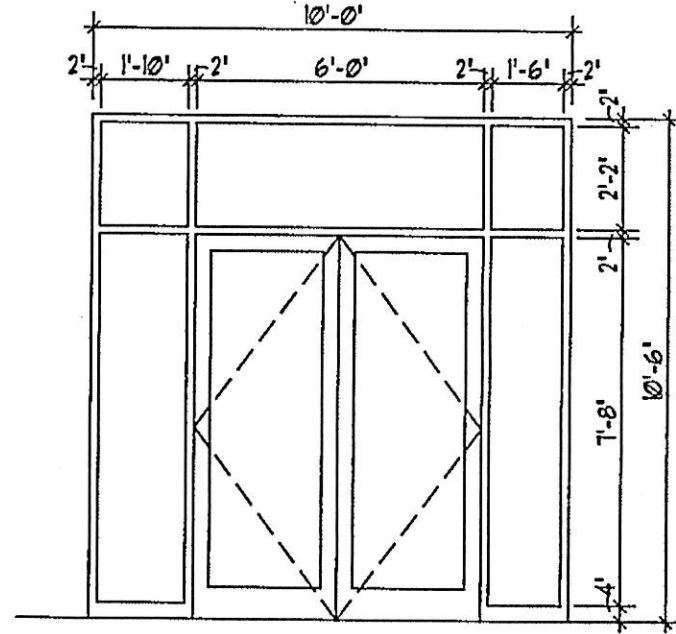


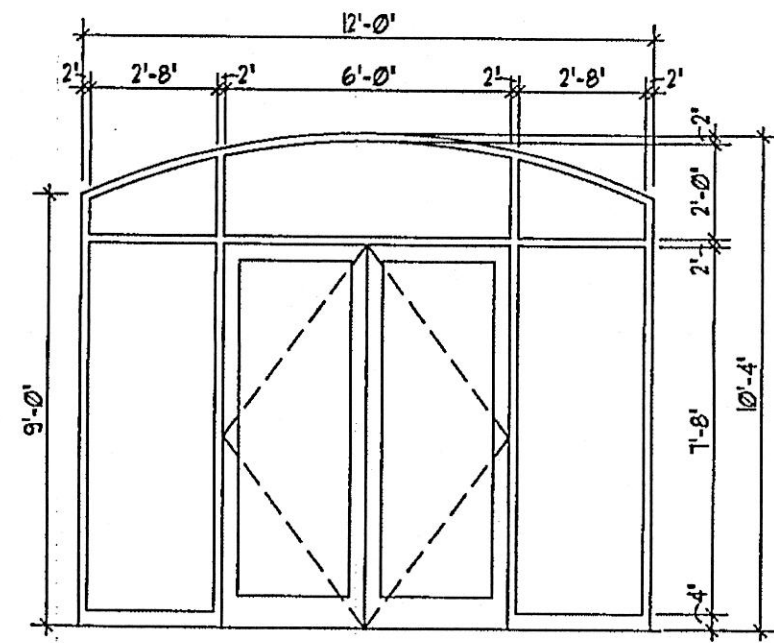
1 AL. FRAMING ELEV.
A42 1/4" = 1'-0"



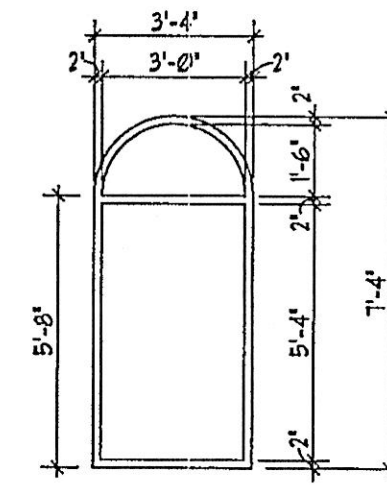
2 AL. FRAMING ELEV.
A42 1/4" = 1'-0"



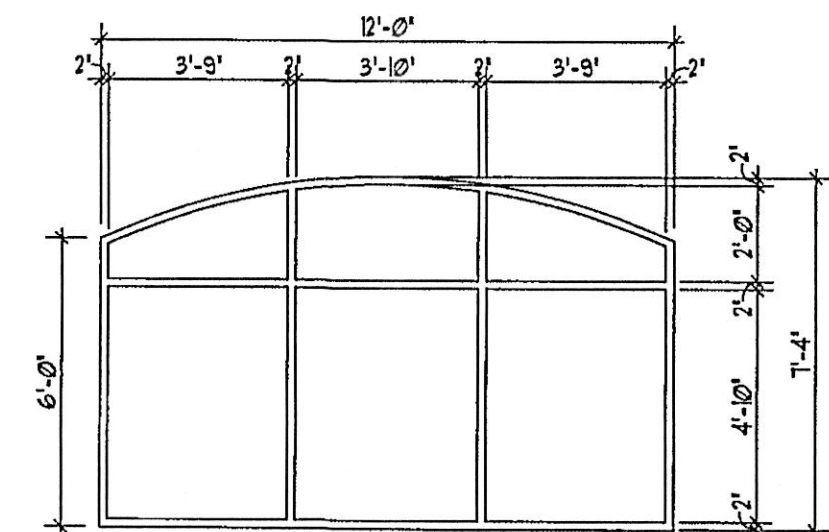
3 AL. FRAMING ELEV.
A42 1/4" = 1'-0"



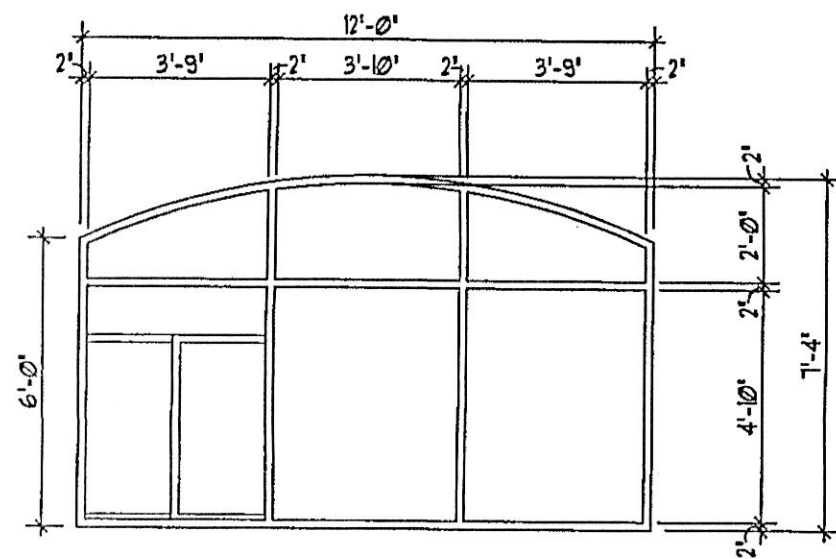
4 AL. FRAMING ELEV.
A42 1/4" = 1'-0"



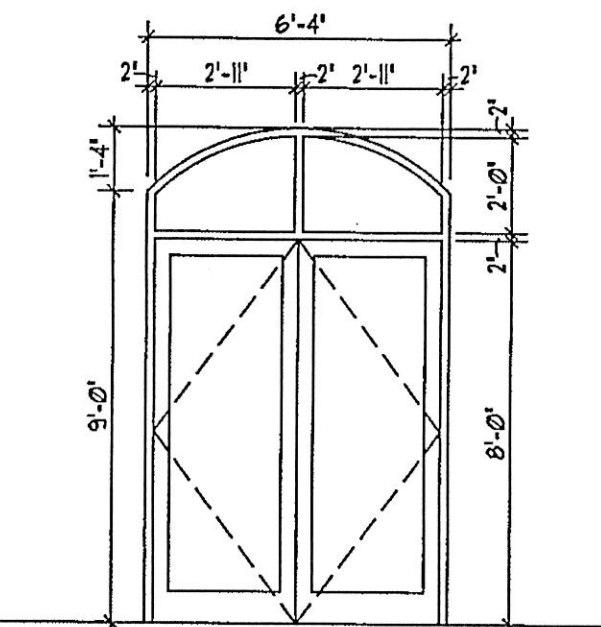
5 AL. FRAMING ELEV.
A42 1/4" = 1'-0"



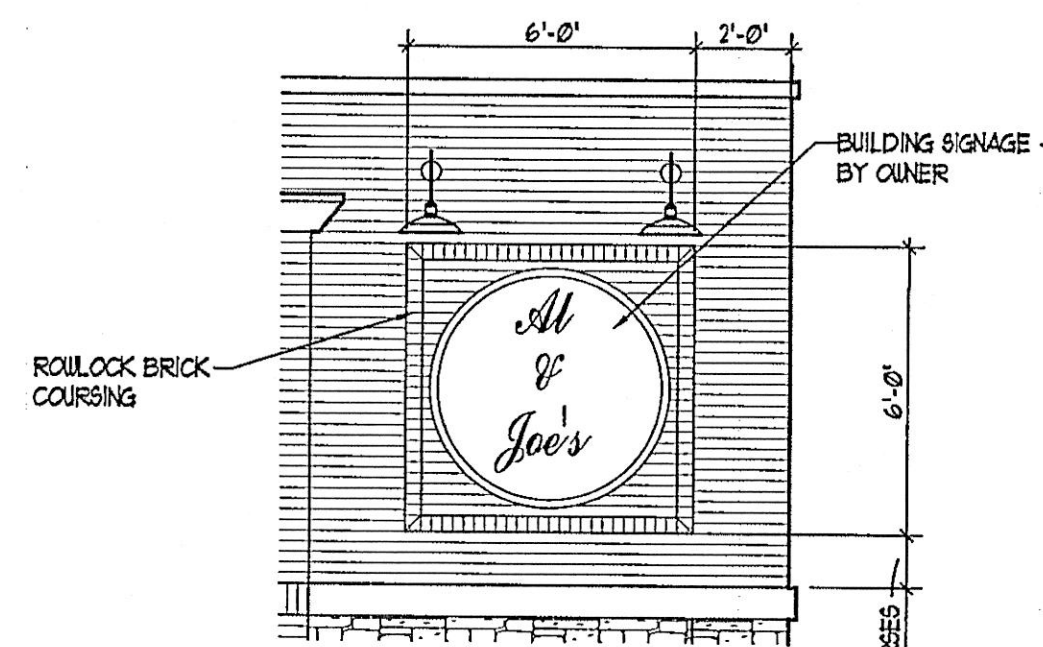
6 AL. FRAMING ELEV.
A42 1/4" = 1'-0"



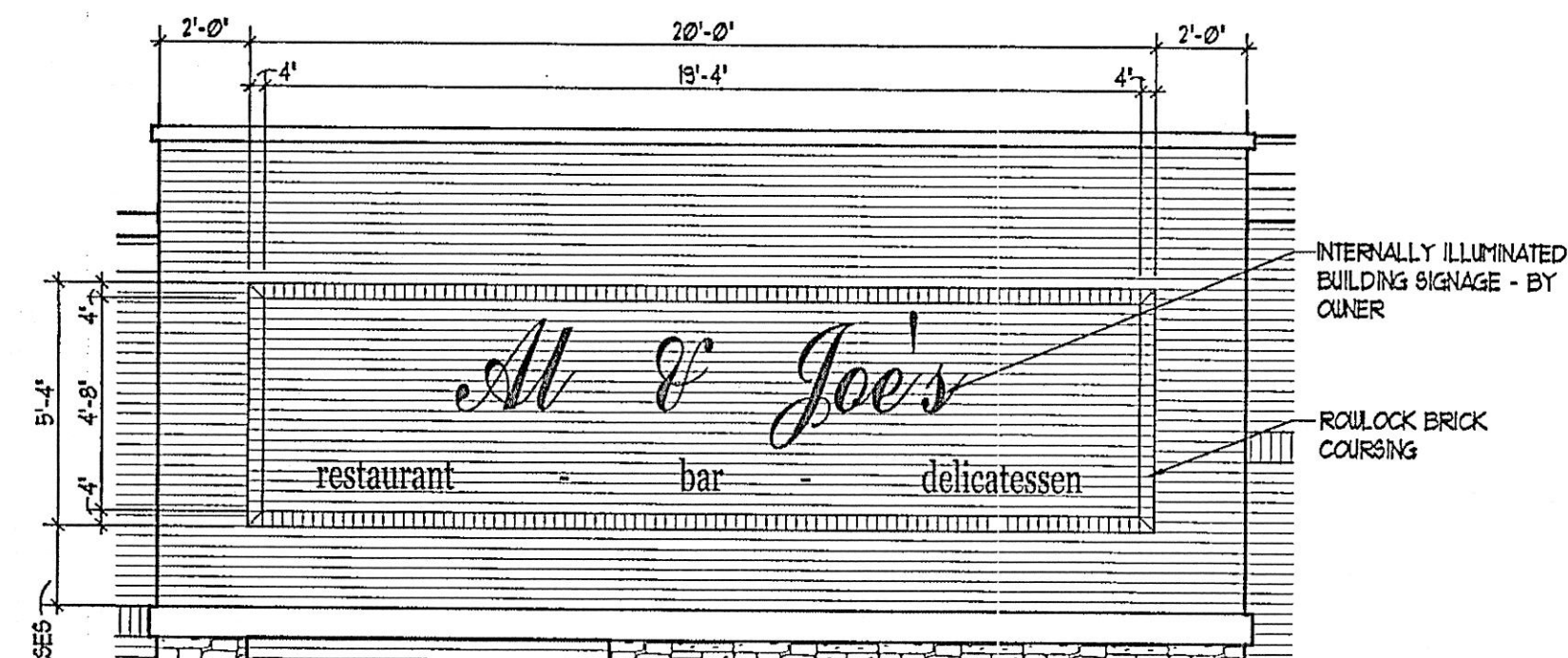
7 AL. FRAMING ELEV.
A42 1/4" = 1'-0"



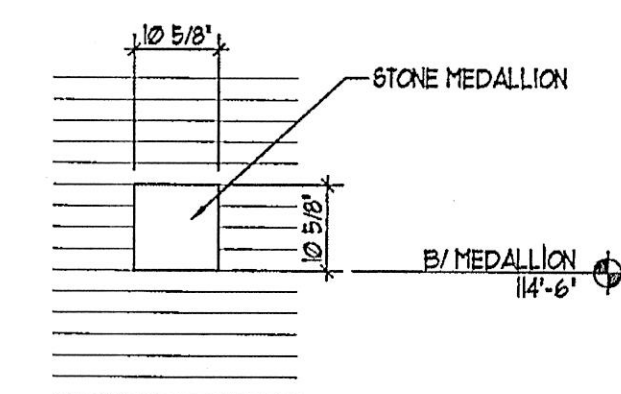
8 AL. FRAMING ELEV.
A42 1/4" = 1'-0"



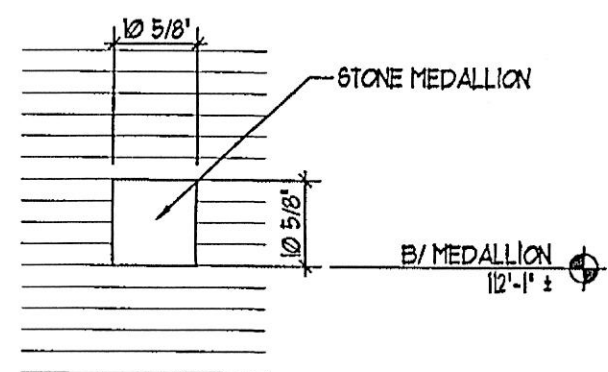
9 SIGNAGE DETAIL
A42 1/4" = 1'-0"



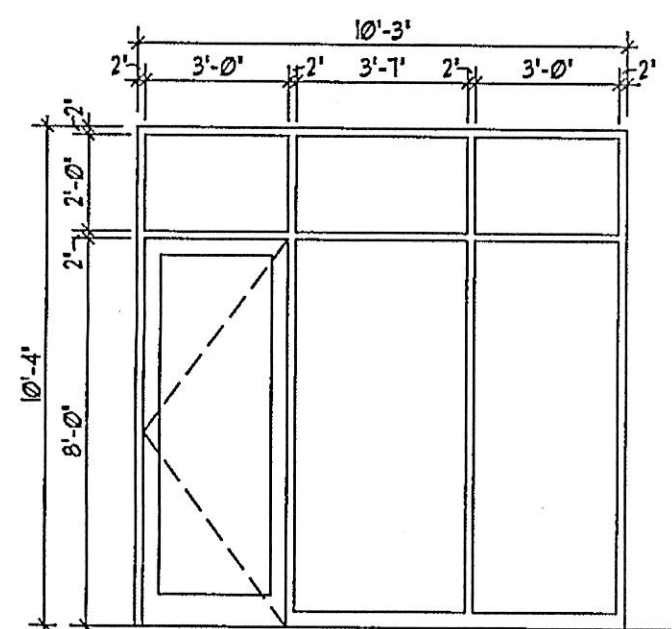
10 SIGNAGE DETAIL
A42 1/4" = 1'-0"



11 MEDALLION DETAIL
A42 1/2" = 1'-0"



12 MEDALLION DETAIL
A42 1/2" = 1'-0"



13 AL. FRAMING ELEV.
A42 1/4" = 1'-0"

NOTE:
ALL GLAZING WITHIN 24" OF A DOOR SHALL BE TEMPERED SAFETY GLAZING.

REVISIONS:
 12/25/01 - CITY COMMENTS
 12/27/01 - CITY COMMENTS
 02/28/02 - CITY COMMENTS

AL & JOES DELI
 Congress Station, Crystal Lake, Illinois
 FRAMING ELEVATIONS AND DETAILS

PARTNERS IN DESIGN
 ARCHITECTS
 110 Lake Cook Road Suite 140
 Deerfield, Illinois 60015
 Ph: (847) 940-0000
 Fax: (847) 940-0006

PROJECT NO.:
 41906025
 DRAWN BY: JWH
 CHECKED BY: WJD
 DATE:
 09.01.01
 SHEET NO.:

A4.2